

BIKE WASH STATION



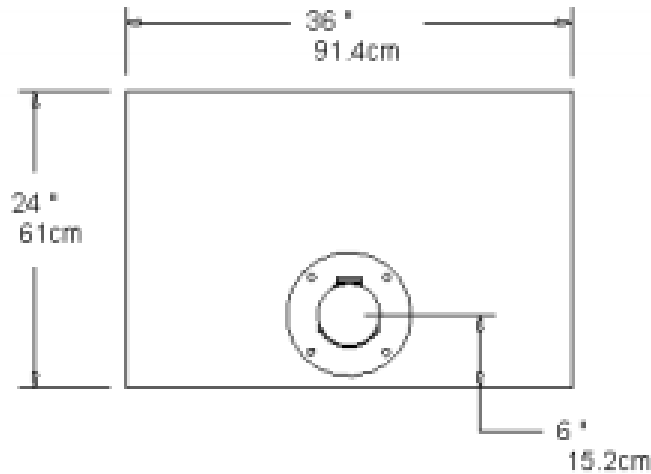
Keep your bike clean and with this innovative, public-use wash station. Perfect for mountain bike trailheads, bike parks and bike rooms in apartment buildings, the wash station is designed to plumb-in just like a drinking fountain.

Product Specifications

- Includes vandal-resistant hose and nozzle with stainless steel fittings
- HVLC (High Velocity Low Consumption) nozzle optimized for strong cleaning power without damaging bicycle bearings while also minimizing water usage
- Vandal-proof auto shut off water valve prevents wasted water
- Cleaning brushes attached by braided stainless steel cable to prevent theft
- Requires municipal water and sanitary drain or dry well hookup (check local codes)
- System is compliant with ADA, EPA, and Public Law 111-380 (No Lead) requirements

Bike Wash Station

Recommended Setbacks



The minimum space requirements for the Wash Station depend on whether there is a Wheel Chock, Public Work Stand, or Deluxe Public Work Stand installed.

Tools Included



- Water hose
- Drivetrain hose
- Scrubber brush
- Frame brush
- Wheel brush



Installation hardware included



Carbon Steel
Stainless Steel



Powder Coat
Galvanized
Stainless Steel



2 year
warranty



Made in
the USA



Standard Colors



26215C Shown

Dimensions							
Model #	Description	Finish	Weight	Length	Width	Height	Space Requirement
26215C	Wash	Powder Coat	48 lbs.	12"	12"	74"	See Back
26215G	Wash	Galvanized	48 lbs.	12"	12"	74"	See Back
26215S	Wash	Stainless	48 lbs.	12"	12"	74"	See Back

Our Saris Infrastructure representatives can assist with custom layout and spacing to meet your room dimensions and desired bike capacity.

Saris Infrastructure 800.783.7257

www.sarisinfrastructure.com

Downloadable product resources available online:



CAD Files



SketchUp Files



Written Specs



Photos