

CUSTOM-BRANDED BIKE DOCK



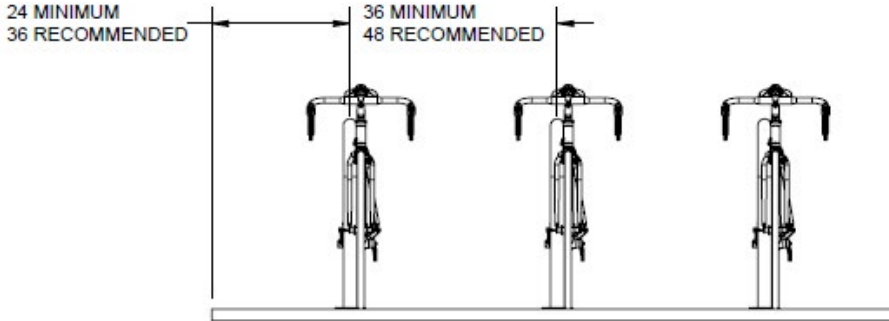
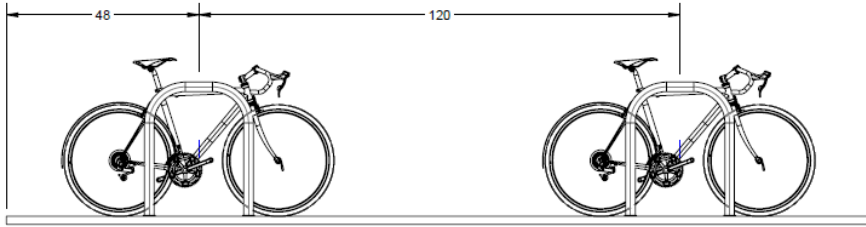
Sky's the limit on how to use this bike parking rack to communicate and reinforce your brand. Custom designed plate added to standard Bike Dock makes a big statement in a cost effective manner. Create a permanent billboard that advertises your bike-friendliness.

Product Specifications

- Available in 2.38" round pipe and 2" square tube
- Accommodates two bikes
- Offers 2 points of contact for bike stability
- Meets APBP bike parking guidelines

Custom-Branded Bike Dock

Recommended Setbacks



2 bikes



2.375" Schedule 40 pipe
2" square tube



Powder Coat



Temporary: 28879
(install kit: 25683)
Temporary
Secure: 26270
(install kit: 26268)
Permanent: 6265



1 year warranty



Made in the USA

Anchors must be purchased separately



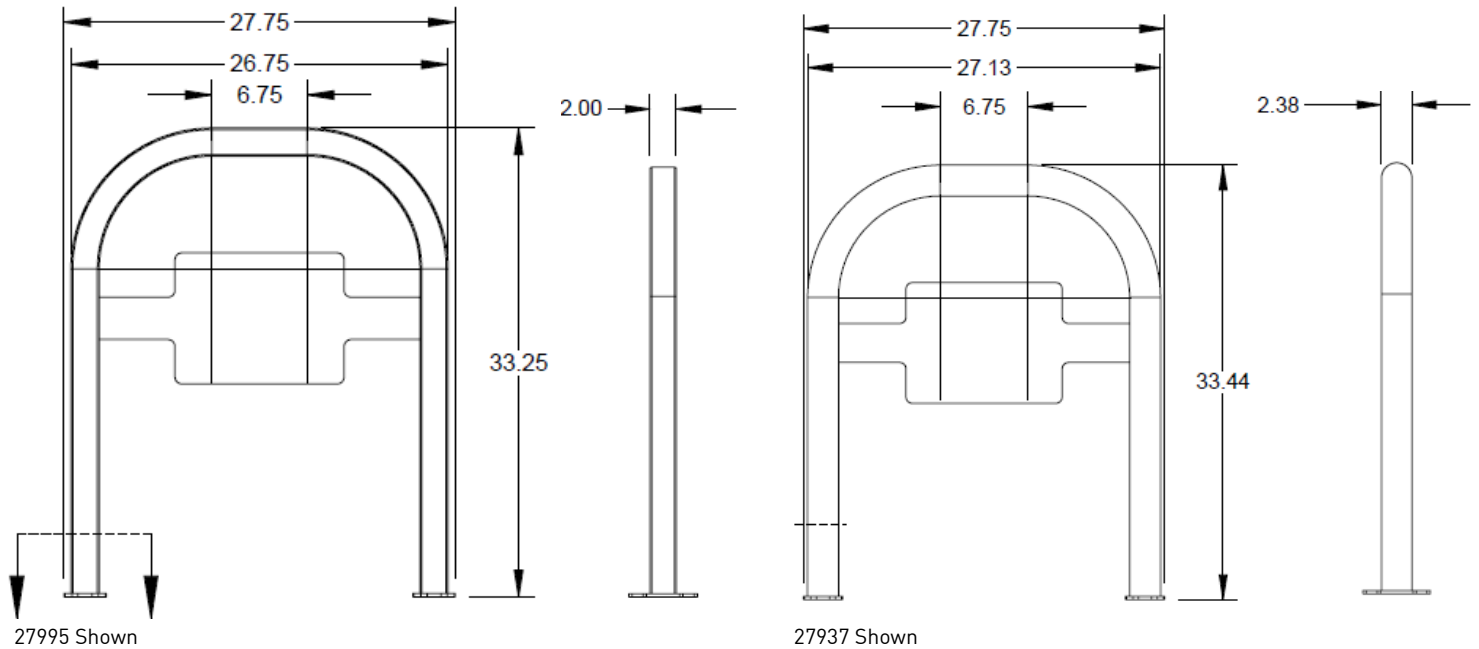
Standard Colors



Flange Mount



Below Grade Mount



| Dimensions | | | | | | |
|------------|---------|---------------|---------|--------|--------|--------|
| Model # | # Bikes | Type of Mount | Weight | Length | Height | Width |
| 2.375" | | | | | | |
| 27937 | 2 | Flange | 32 lbs. | 27.75" | 33.44" | 5.25" |
| 28011 | 2 | Below Grade | 39 lbs. | 27.13" | 44.19" | 2.375" |
| 2" Square | | | | | | |
| 27995 | 2 | Flange | 38 lbs. | 27.75" | 33.25" | 5.25" |
| 28012 | 2 | Below Grade | 46 lbs. | 26.75" | 44" | 2" |

Downloadable product resources available online:



CAD Files



SketchUp Files



Written Specs



Photos

Our Saris Infrastructure representatives can assist with custom layout and spacing to meet your room dimensions and desired bike capacity.

Saris Infrastructure 800.783.7257

www.sarisinfrastructure.com