

PUBLIC WORK STAND



SARIS
INFRASTRUCTURE



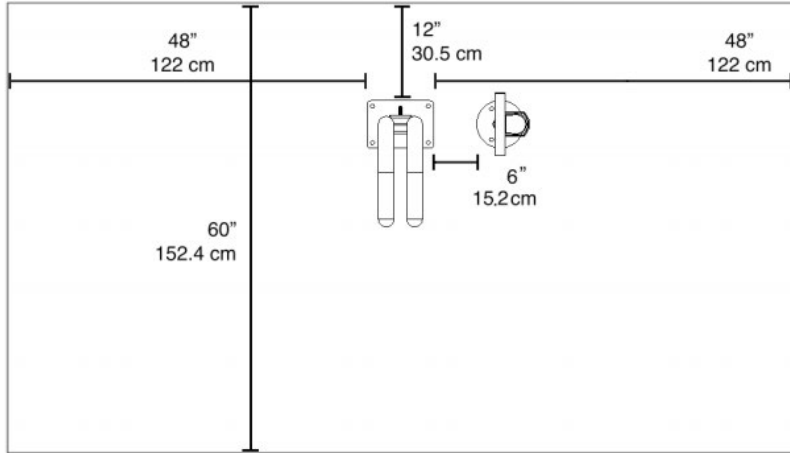
The Public Work Stand puts the tools where the people need them – on the trails, near the streets and in the bike rooms. With nine common bicycle tools permanently tethered to a bike holder and designed to be placed either inside or outside, the Public Work Stand will meet the spur-of-the-moment maintenance and repair needs that keep riders on their ride.

Product Specifications

- Universal bike mounting – hang by seat or top tube
- Nine common bicycle tools tethered by stainless steel aircraft cable
- Unique I-beam design eliminates possibility of locking a bike to the station
- ADA-compliant design
- QR code link to maintenance instructions for viewing from smart phone
- Installation hardware included

Public Work Stand

Recommended Setbacks



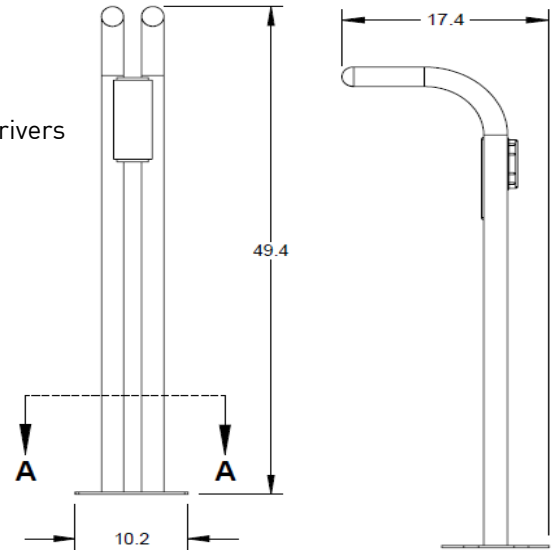
Site Layout:

- Minimum of 48" from side of Public Work Stand to wall or other objects
- Minimum of 12" from back of Public Work Stand to wall
- Minimum of 6" between Public Work Stand and Pump
- Minimum of 60" from perpendicular street
- Minimum of 96" from parallel street

Tools Included



- Philips & standard screwdrivers
- Steel core tire levers (2)
- Headset/pedal wrench
- 8/10mm cone wrench
- 9/11mm cone wrench
- Torx T-25
- Hex key set



Installation hardware included



Thick-walled DOM tubing; TIG welded to laser-cut steel; stainless steel aircraft cable



Powder Coat



2 year warranty



Made in the USA



Standard Colors

Dimensions

Model #	Description	Type of Mount	Weight	Length	Width	Height	Space Requirement
26302C	Powder Coat	Flange	43 lbs.	8.5"	16"	49.5"	See Back
26302G	Galvanized	Flange	43 lbs.	8.5"	16"	49.5"	See Back
26302S	Stainless Steel	Flange	43 lbs.	8.5"	16"	49.5"	See Back

Downloadable product resources available online:



CAD Files



SketchUp Files



Written Specs



Photos

Our Saris Infrastructure representatives can assist with custom layout and spacing to meet your room dimensions and desired bike capacity.

Saris Infrastructure 800.783.7257

www.sarisinfrastructure.com