

CUSTOM-BRANDED CIRCLE DOCK



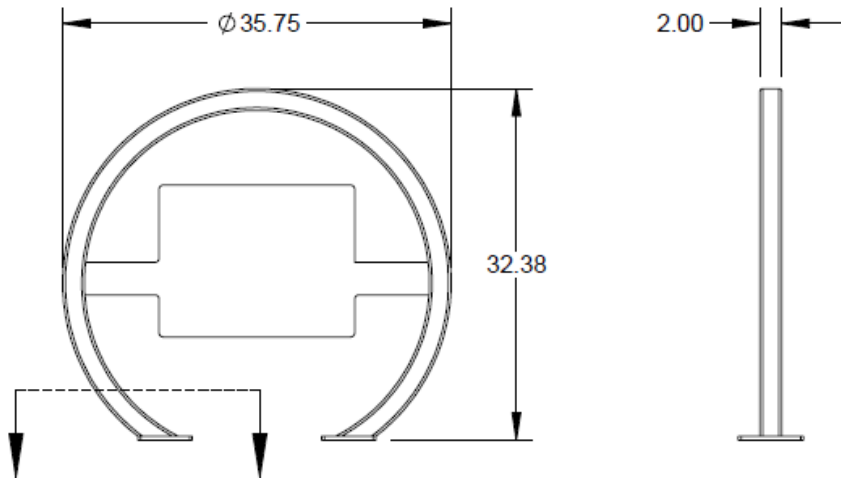
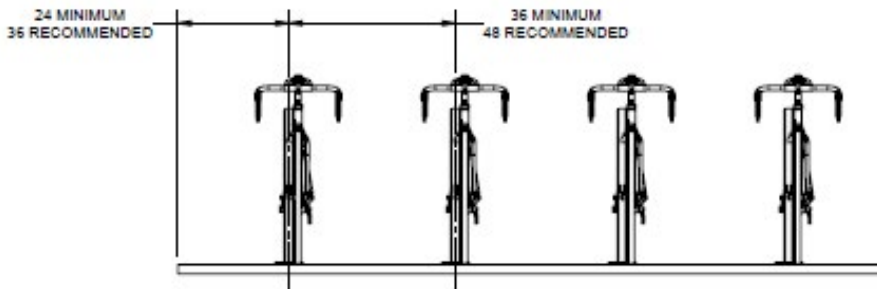
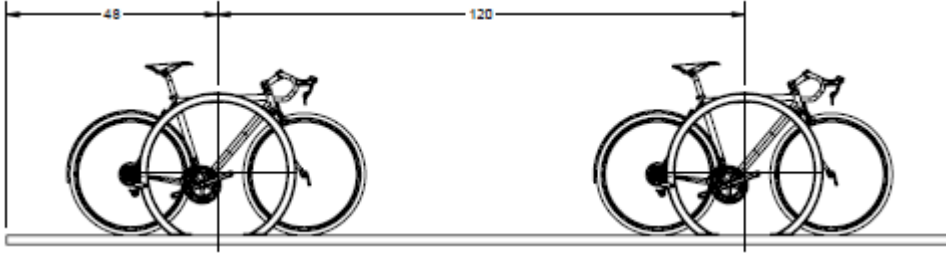
Combining an aesthetic arc with the security of 2-inch square tubing, the Circle dock will help deter the bike thief with a pipe-cutter while looking good at the same time. Also meets APBP standards for bike parking. Beauty and Braun in a bike rack.

Product Specifications

- 2"x2"x3/16" structural square tube – square tubing resists efforts from thieves using pipe cutters
- Accommodates two bikes
- Offers 2 points of contact for bike stability
- Meets APBP bike parking guidelines

CUSTOM-BRANDED Circle Dock

Recommended Setbacks



2 bikes



2" Square



Powder Coat



Temporary: 29163
(install kit: 25683)
Temporary
Secure: 29164
(install kit: 26268)
Permanent: 6265



1 year
warranty



Made in
the USA

Anchors must be purchased separately



Standard Colors



Flange Mount

Dimensions

Model #	# Bikes	Type of Mount	Weight	Length	Height	Width
28373	2	Flange	53 lbs.	35.75"	32.375"	6"

Downloadable product resources available online:



CAD Files



SketchUp Files



Written Specs



Photos

Our Saris Infrastructure representatives can assist with custom layout and spacing to meet your room dimensions and desired bike capacity.

Saris Infrastructure 800.783.7257

www.sarisinfrastructure.com