

MODULAR CORRAL



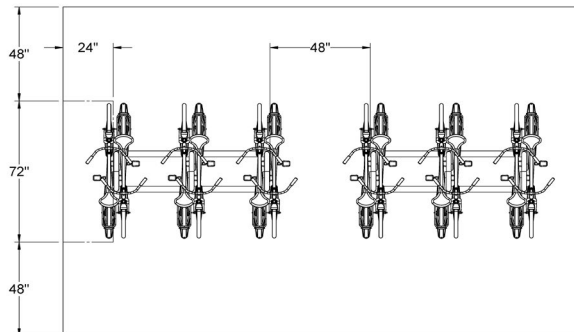
The Modular Corral rack combines the intuitive ease of bike docks, with the benefit of reduced installation from a multi-space bike rack. Modular in nature, this bike rack can be connected and expanded to fit the given installation area. The Modular Corral Rack can also be angled to create additional space and convenience. Available in different tube widths, dimensions and custom branding to find the perfect fit for your bike parking project.

Product Specifications

- Easy access for maintenance and street cleaning
- Only 4 anchor points for installation
- Modular design to easily assemble or adjust angle of hoops
- Durable powder coat finish is corrosion resistant and has long term life span
- Meets APBP bike parking standards
- Customization and branding options available

Modular Corral

Recommended Setbacks



4, 6, 8, 10 or 12 bikes



1.66" 2" Square 2.375"



Powder Coat Galvanized



Temporary #29173
Temp-Secure #29172



1 year warranty

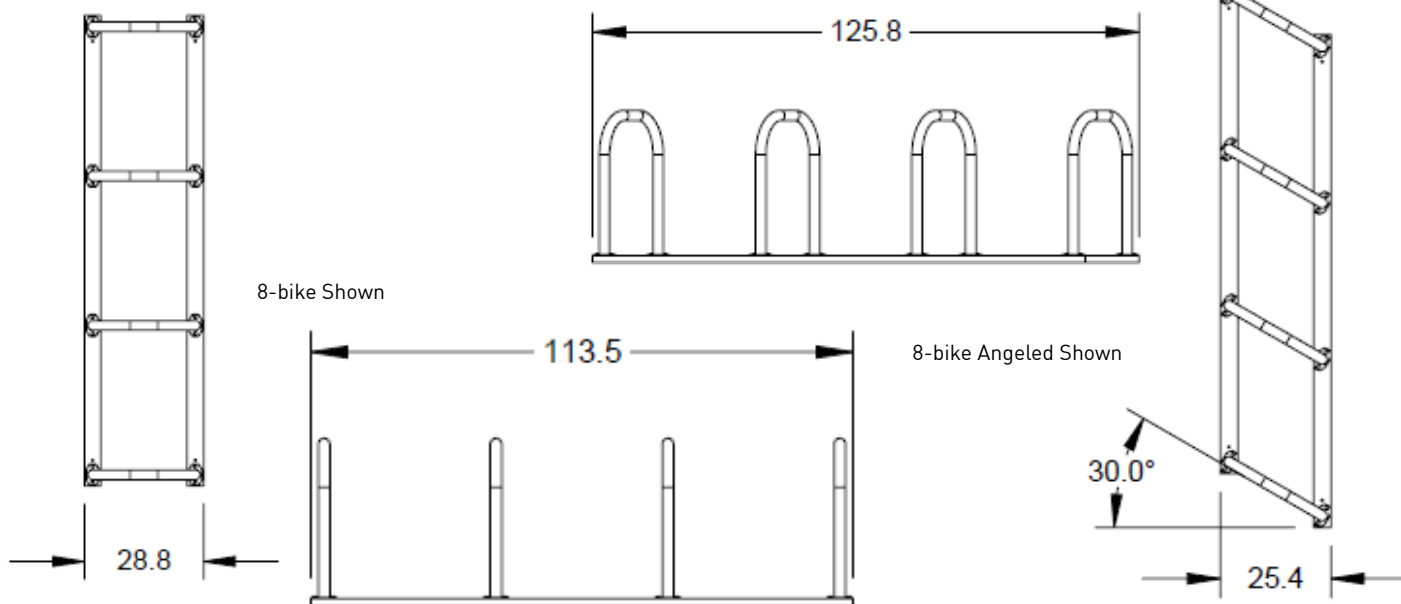


Made in the USA

Anchors must be purchased separately



Standard Colors



# Bikes	Length Straight	Length Angled	Width Straight	Width Angled	Height
1.66", 2.375", 2" sq					
4	41.45"	53.8"	28.8"	25.4"	35"
6	77.45"	89.8"	28.8"	25.4"	35"
8	113.45"	125.8"	28.8"	25.4"	35"
10	149.5"	161"	28.8"	25.4"	35"
12	185.5"	197.8"	28.8"	25.4"	35"

Our Saris Infrastructure representatives can assist with custom layout and spacing to meet your room dimensions and desired bike capacity.

Saris Infrastructure 800.783.7257

www.sarisinfrastructure.com

Downloadable product resources available online:



CAD Files



SketchUp Files



Written Specs



Photos