

# POST & RING



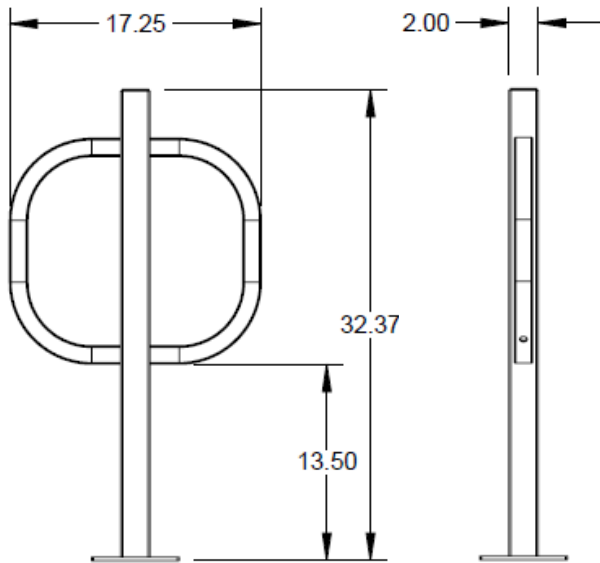
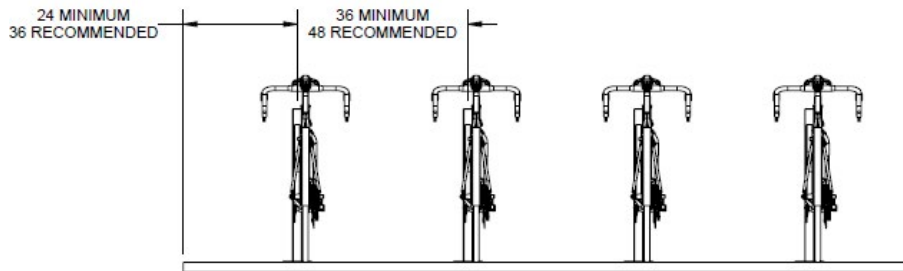
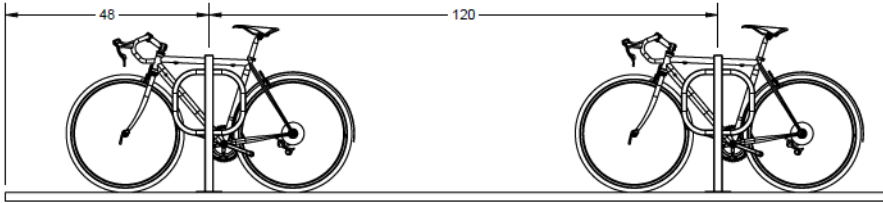
The Post and Ring rack provides a modern look for bike parking with a small footprint and only one installation point. With its square tubing, the Post and Ring is the perfect blend of high security and easy installation.

## Product Specifications

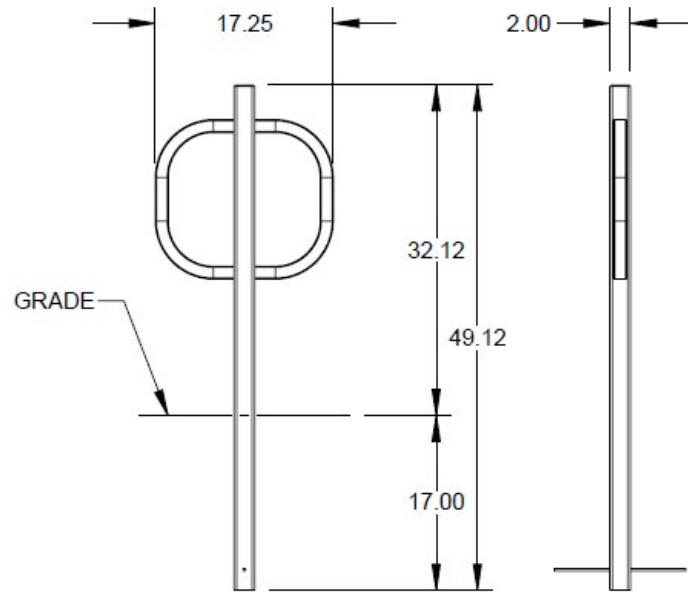
- One point of installation and small footprint on the sidewalk
- Full square tube construction
- Accommodates two bikes
- Meets APBP bike parking guidelines

# Post & Ring

## Recommended Setbacks



27927 Shown



27968 Shown



2 bikes



2" Square  
1.25"



Powder Coat  
Galvanized



Temporary: 28879  
(install kit: 25683)  
Temporary  
Secure: 26270  
(install kit: 26268)  
Permanent: 6265



1 year  
warranty



Made in  
the USA

Anchors must be purchased separately



Standard Colors



Flange Mount



Below Grade  
Mount

### Dimensions

| Model # | # Bikes | Type of Mount | Weight  | Length | Height | Width |
|---------|---------|---------------|---------|--------|--------|-------|
| 27927   | 2       | Flange        | 22 lbs. | 17.25" | 32.37" | 6"    |
| 27968   | 2       | Below Grade   | 26 lbs. | 17.25" | 49.12" | 2"    |

Downloadable product resources available online:



CAD Files



SketchUp Files



Written Specs



Photos

Our Saris Infrastructure representatives can assist with custom layout and spacing to meet your room dimensions and desired bike capacity.

Saris Infrastructure 800.783.7257

www.sarisinfrastructure.com