

SKI/SNOWBOARD REPAIR STAND



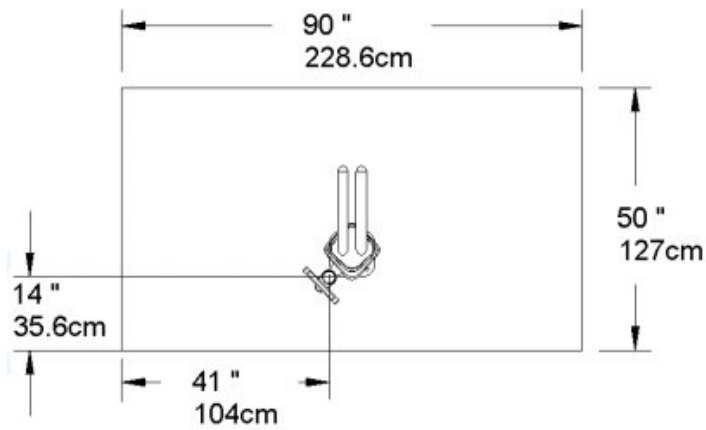
Shredding the gnar all day on the slopes can take a toll on your board(s) and the hardware occasionally needs an adjustment. While it's fairly common to find public-use tools tethered to something at ski hills and resorts, never before has a ski/snowboard repair station been this user friendly or easy on the eyes. Complete with a rubber coated work deck, this repair station makes your tune-ups quick and easy.

Product Specifications

- Accommodates skis and snowboards on integrated work bench
- Includes tools for all common repairs and adjustments
- Tools attach by retractable stainless steel cables. No tangled tools!
- Nylon reinforced rubber bench surface protects skis and boards
- Stainless steel construction for superior corrosion resistance
- Large surface area on back of repair station is great for sponsorship and signage
- ADA-compliant design

Ski/Snowboard Repair Stand

Recommended Setbacks



Stainless Steel



Stainless Steel



Installation Hardware included



2 year warranty

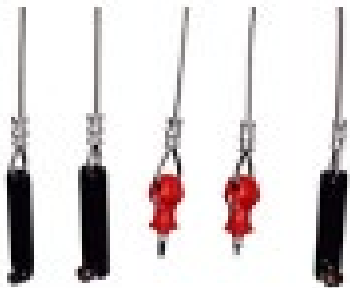


Made in the USA



Standard Colors

Tools Included



- Philips #2 and #3 screwdrivers
- Pozidrive #3
- Flatblade screwdriver
- 8,9,10, and 11mm wrenches
- Hex key set



Dimensions

Model #	Finish	Type of Mount	Weight	Length	Width	Height	Space Requirement
26353	Stainless Steel	Floor Mount	150 lbs.	32"	48"	59"	See back

Our Saris Infrastructure representatives can assist with custom layout and spacing to meet your room dimensions and desired bike capacity.

Saris Infrastructure 800.783.7257

www.sarisinfrastructure.com

Downloadable product resources available online:



CAD Files



SketchUp Files



Written Specs



Photos