

# VERTICAL RACKS



**SARIS**  
INFRASTRUCTURE



\*Shown with  
optional Fat Bike Tracs

When floor space is at a premium, the vertical rack uses wall space to efficiently park bikes. The vertical system can be mounted into the floor or wall (perfect for a space where mounting into the wall isn't an option), uses a vertical stagger to minimize between bike spacing, and can be modular to create larger scale parking areas.

## Product Specifications

- Smallest footprint for indoor parking product
- Versatile configurations
- Locking and non-locking versions available
- Staggered design minimizes handlebar interference
- Perfect for areas where wall mounting is not an option
- Expandable with one bike add-on (6003T, 6003C, 6003F, 6003FC, 6006)

# Vertical Racks



3, 4, 6 or 8 bikes

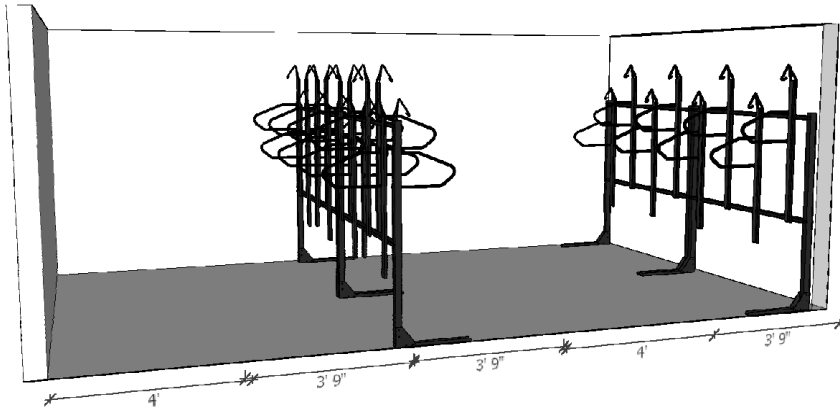


TGIC Black Powder Coat



Powder Coat (black only)

## Recommended Setbacks



Floor or wall mounting options  
Recommended anchor: #6264



84" minimum ceiling height

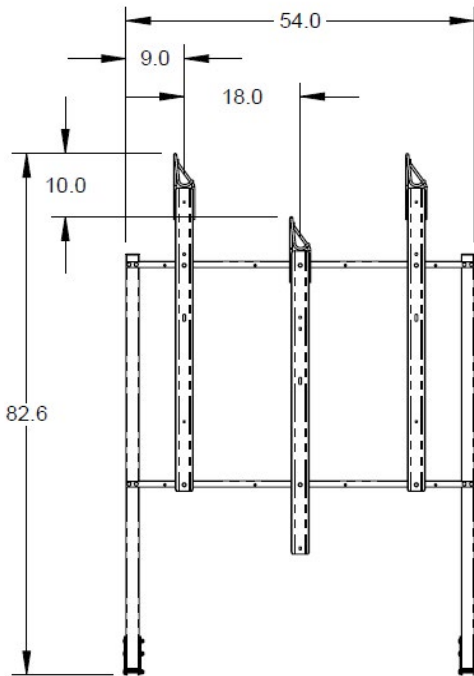


1 year warranty

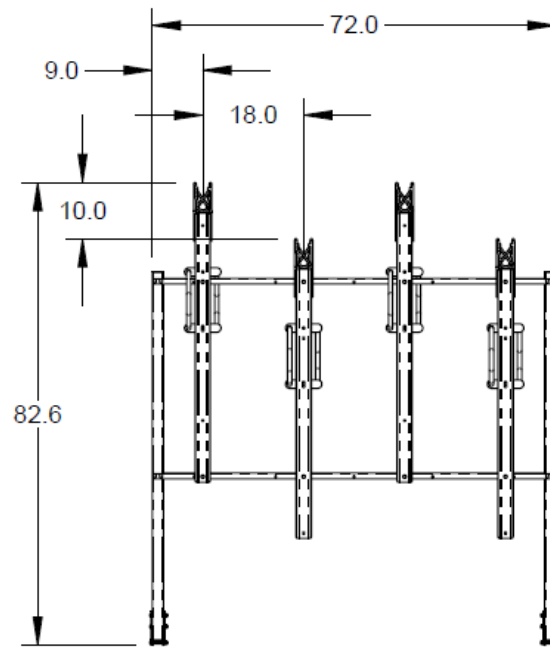


Made in the USA

Anchors must be purchased separately



8023 Shown



8044 Shown

### Dimensions

Model #	# Bikes	Bike Spacing	Ceiling Height Min.	Foot Print
Non-Locking				
8023	3	18"	84"	54" x 46"
8024	4	18"	84"	72" x 46"
8033	6	18"	84"	54" x 90"
8034	8	18"	84"	72" x 90"
Locking				
8043	3	18"	84"	54" x 46"
8044	4	18"	84"	72" x 46"
8063	6	18"	84"	54" x 90"
8064	8	18"	84"	72" x 90"

Our Saris Infrastructure representatives can assist with custom layout and spacing to meet your room dimensions and desired bike capacity.

Saris Infrastructure 800.783.7257

www.sarisinfrastructure.com

Downloadable product resources available online:



CAD Files



SketchUp Files



Written Specs



Photos